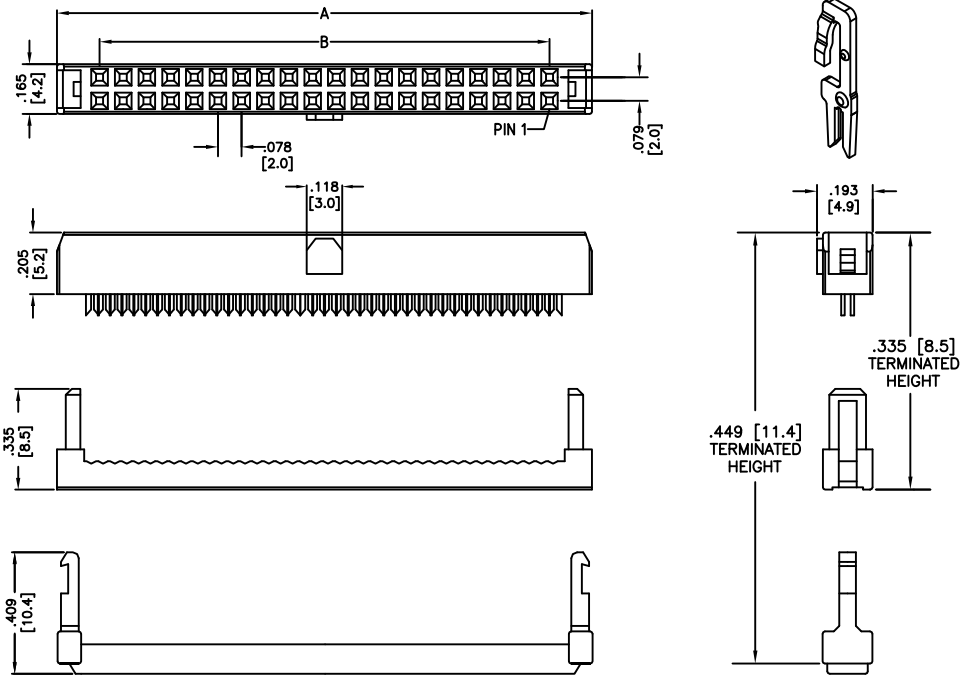


# Major League Electronics .079" cl Insulation Displacement Socket

Pins Per Row	Dimension	
	A	B
3	.440 [11.2]	.157 [4.0]
4	.519 [13.2]	.236 [6.0]
5	.598 [15.2]	.315 [8.0]
6	.677 [17.2]	.394 [10.0]
7	.755 [19.2]	.472 [12.0]
8	.834 [21.2]	.551 [14.0]
9	.913 [23.2]	.629 [16.0]
10	.992 [25.2]	.708 [18.0]
11	1.070 [27.2]	.787 [20.0]
12	1.149 [29.2]	.866 [22.0]
13	1.228 [31.2]	.945 [24.0]
15	1.385 [35.2]	1.102 [28.0]
16	1.464 [37.2]	1.181 [30.0]
17	1.543 [39.2]	1.260 [32.0]
18	1.622 [41.2]	1.339 [34.0]
19	1.700 [43.2]	1.417 [36.0]
20	1.779 [45.2]	1.496 [38.0]
22	1.937 [49.2]	1.653 [42.0]
24	2.094 [53.2]	1.811 [46.0]
25	2.173 [55.2]	1.890 [48.0]
28	2.409 [61.2]	2.126 [54.0]
30	2.566 [65.2]	2.283 [58.0]
32	2.724 [69.2]	2.441 [62.0]
34	2.881 [73.2]	2.598 [66.0]



Tails may be clipped to achieve desired pin length

## Ordering Information

IDS-2  - D - 02 -  -  -  - LF

Pins Per Row

only available in:

03, 04, 05, 06, 07, 08, 09, 10, 11, 12,  
13, 15, 16, 17, 18, 19, 20, 22, 24, 25, 28,  
30, 32, 34

Double

Style

02 = Black

Lead Free

Polarized Position

006 - 068

Leave blank if not needed

Options

01 = With Strain Relief

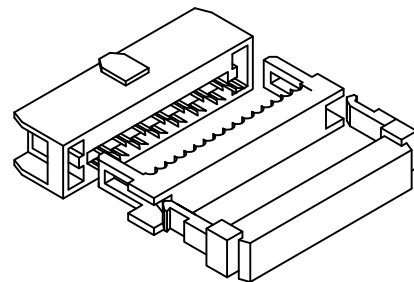
02 = Without Strain Relief

Plating Options	
- Gold Flash Over Entire Pin	F
- Gold Flash on Contact Area / Matte Tin on Remainder	FT
- 10µ Gold on Contact Area	G
- 30µ Gold on Contact Area	H

Standard plating = FT

Mates with:

SHSTL-2, SHBSTC-2,  
SHBSTCM-2, SHTSHC-2,  
SHTSHR-2, SHTSHSM-2



Insulator	PBT, glass reinforced, rated UL 94V-0	Current Rating	1 Amp
Contact	Phosphor Bronze	Dielectric Withstanding	500V AC for one minute
Insulation Resistance	3000 MΩ min.	Operating Temperature	-40°C to +105°C
Contact Resistance	30 mΩ max.	Terminated with	.039" [1.0mm] pitch flat ribbon cable

Products cut to specific sizes are uncancellable/nonreturnable

Parts are subject to change without notice

### IDS-2 SERIES

.079" cl Insulation Displacement Socket

23 APR 07

Scale  
NTS

UNLESS OTHERWISE SPECIFIED  
DIMENSIONS IN INCHES (MM)  
TOLERANCES ARE:

ONE PLACE DECIMALS ±.100  
TWO PLACE DECIMALS ±.010  
THREE PLACE DECIMALS ±.005  
FOUR PLACE DECIMALS ±.002



4235 Earnings Way, New Albany, Indiana, 47150, USA  
1-800-782-3486 (USA/Canada/Mexico)

Tel: 812-944-7244

Fax: 812-944-7268

E-mail: mle@mlelectronics.com

Web: www.mlelectronics.com

Revision  
C

Sheet  
1/2

## Revisions

Revision C - (3rd Mar 2011)

Contact plating amended.

Revision B

FT - Gold Flash on contact area / Matte Tin on Tail

Revision C

FT - Gold Flash on contact area / Matte Tin on Remainder

Revision B - (3rd Feb 2011)

Amendment to plating options in ordering grid.

Revision A

G - 10 $\mu$  Gold on Contact area/Flash on Tail

GT - 10 $\mu$  Gold on Contact Area/Matte Tin on Tail

FT - 3 $\mu$  Selective Gold

T - Matte Tin all Over

F - Gold Flash Over Entire Pin

(Standard Plating = T)

Revision B

FT - Gold Flash on contact area / Matte Tin on Tail

F - Gold Flash over entire pin

G - 10u Gold on contact area

H - 30u Gold on contact area

(Standard Plating = FT)

Width dimension (inclusive of polarization bump) changed:


Was: .185 (4.70)

Now: .193 (4.90)

Dimension Table changed:

Was: Dimension A - XX.1 (eg 3 pins per row, DIM A was 11.1, DIM A is now 11.2)

Now: Dimension A - XX.2

	<b>IDS-2 SERIES</b>	.079" cl Insulation Displacement Socket	<b>23 APR 07</b>	Scale NTS
<small>UNLESS OTHERWISE SPECIFIED DIMENSIONS IN INCHES (MM) TOLERANCES ARE:  ONE PLACE DECIMALS <math>\pm</math>.100 TWO PLACE DECIMALS <math>\pm</math>.010 THREE PLACE DECIMALS <math>\pm</math>.005 FOUR PLACE DECIMALS <math>\pm</math>.002</small>		4235 Earnings Way, New Albany, Indiana, 47150, USA 1-800-782-3486 (USA/Canada/Mexico) Tel: 812-944-7244 Fax: 812-944-7268 E-mail: mle@mlelectronics.com Web: www.mlelectronics.com		Revision C
				Sheet 2/2